

**ACCURL Master Guillotine Shears
with ELGO P40T Touchscreen Control
Model: MS8-6x3200**

(Excellent cut, Perfect speed)



Excellent cut, perfect speed. ACCURL CNC Hydraulic Guillotine Shear can cut all kind of metal sheet to maintain the highest production capacity with maximum precision and quality
Tough construction with the same solid framework we use for all of Accurl Shears
User friendly German ELGO P40T NC Touchscreen control unit

Better cutting:

- Automatic calculations of the shear functions upon entering material specifications
- Blade Gap Adjustment
- Cutting angle Adjustment
- Ball screw back gauge 800 mm

Efficient, low noise and accurate hydraulic system BOSCH REXROTH.

Silent and reliable internal gear pump from USA

Servo Motor for back gauge motor control

Square support arm with 1000mm scale and flip

Protection covers (side and rear safety doors)

Usage of high-tech boring machines for extreme precision parts:

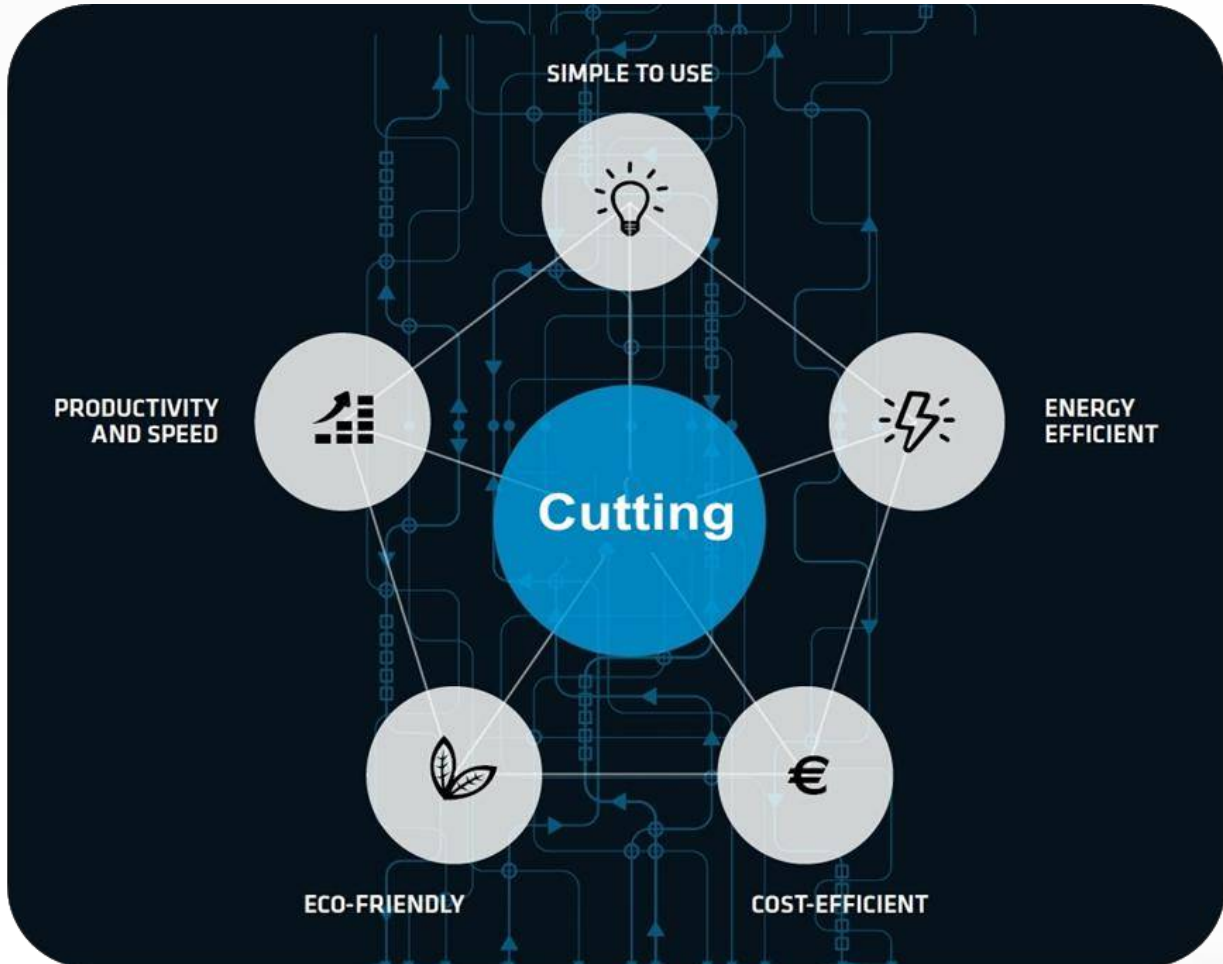
- ACCURL® chooses the best products to guarantee long-lasting and high-tech machines.
- ACCURL® selects the best components.

In built safety systems (light guards & Laser beam safety photocells as standard, CE certified.).

ABOUT ACCURL® Better Cutting

ACCURL® improves its reliability every day by working with highly educated engineers and by using the latest technology in rapidly developing sheet metal industry.

By choosing the new and improved CNC MS8, you will bring modern-day technology to your company with maximum safety, high accuracy and unique ease of use.



> **We are a true technological partner.**

We recommend balanced solutions to our client; solutions based on a realistic needs analysis.

> **We are CNC Cutting & Bending specialists.**

We offer an efficient and proven working process.

> **As sheet metal machinery pioneers,**

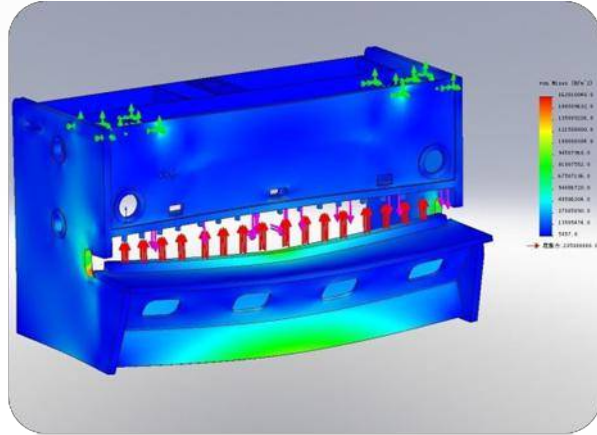
We have more than a decade of experience and installations.

MACHINE BLOCK:

ACCURL® Shears features a rigid frame for min deflection under the load. The frame steels are German origin and designed using SOLIDWORKS 3D programming and made with quality steel Improved Q235 using the latest technology.

Feature:

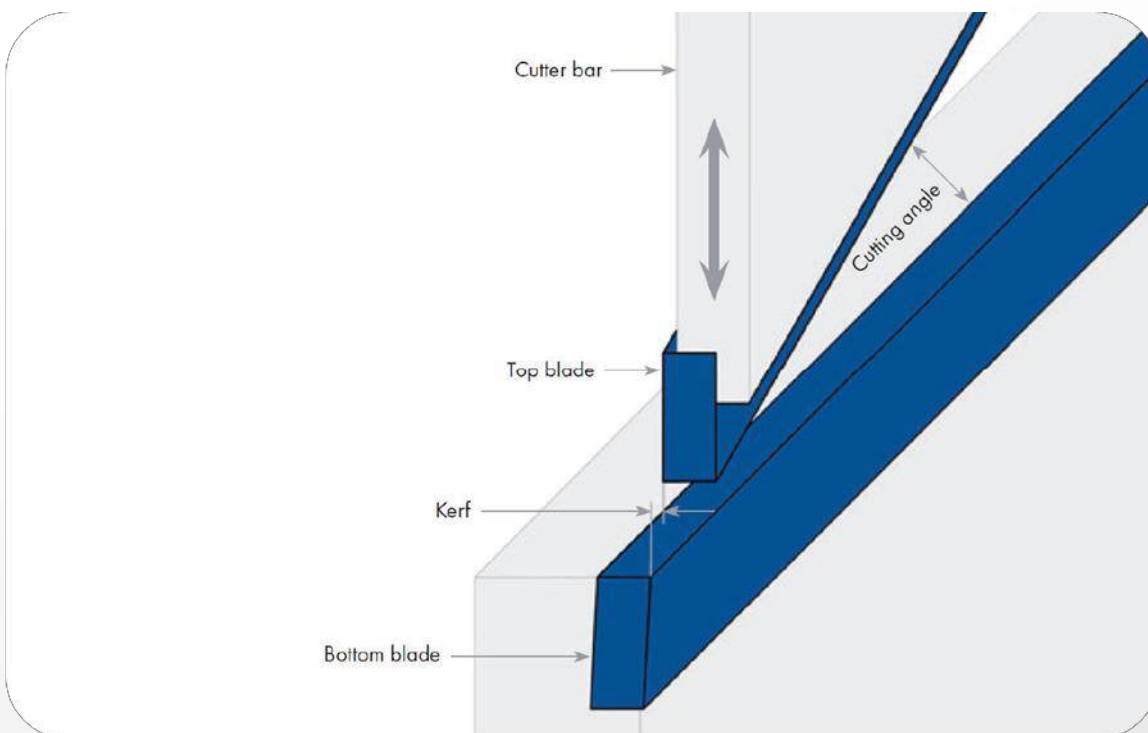
- The machine welding is made by welding apparatus and welding robots.
- After welding, we make stress relief process by vibration system.
- After the stress relief process machine frame goes to CNC 5 axes machining centers for accuracy.
- All reference surfaces and connection holes are machined.



SHEARS TECHNOLOGY:

Perfectcuts:

ACCURL® Impressive cutting technology: Built for longevity and thanks to its ergonomic design and rigid structure, Accurl MS8 shears provide a smooth cut with high sensitivity and great safety features. They are also very budget friendly. MS8 shears offer you the best choice in its class with speed, performance and cutting sensitivity.



SHEARING PROCESS:

Perfect design in every aspect;

ACCURL, known as one of the top worldwide manufacturers in the sheet metal industry, proudly announces its latest shear model to the market, Variable Rake Hydraulic Guillotine.

Blade gap, cutting angle and cutting length are all automatically adjusted based on material selection and thickness.

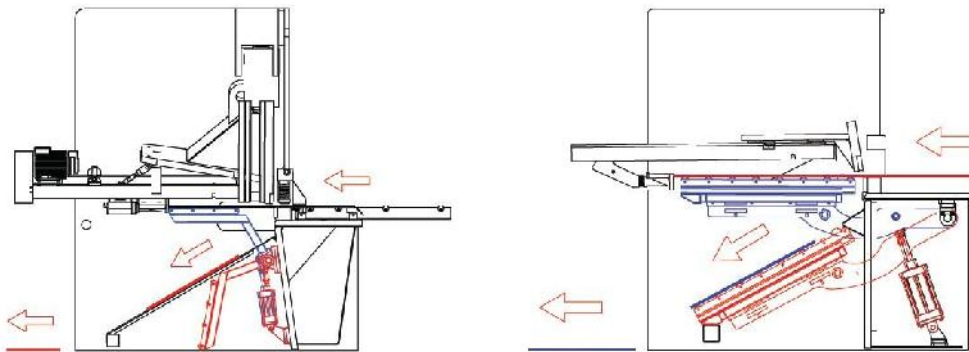
By choosing the new and improved CNC MS8, you will bring modern-day technology to your company with maximum safety, high accuracy and unique ease of use.



PNEUMATIC SHEET SUPPORT SYSTEM(OPTIONAL):

Monobloc Panel Type support system:

Avoids hanging down the wide and thin sheets via pneumatic table support and provides more precise cuts



NC CONTROL UNIT:

ACCURL® has chosen the very powerful ELGO P40 System, which has been specially designed for cutting. Some of the features are:



GERMAN ELGO P40T NC Control Unit:

- TFT-Display with touch operation
- Manual function
- Single set operation
- Program memory
- Digital outputs until 2A
- Analog outputs
- Material depending gap, angle and pressure calculation
- Cut auto
- Sheet support
- Sheet return

SPECIFICATIONS:

Model:	Unit	MS8-6x3200
German P40 T Control		Blade Gap + Rake Angle + Back Gauge
Cutting Capacity (M/S 42kg/mm ²)	mm	6
Cutting Capacity (S/S70kg/mm ²)	mm	4
Cutting Length	mm	3200
Rake Angle	Degree	0.5°~1.8°
Blade Gap	mm	0,05~1,2
Throat Depth	mm	100
Working table height	mm	820

WORKING:		
Blades Length	mm	3280
Stroke Per Minute	1/min	12~20
Hold downs	Pcs	16
Hold downs Force	Ton	4-20

BACKGAUGE:		
Back Gauge Speed	mm/sec	220
Back Gauge Range	mm	800
Back Gauge Power	Kw	0.75

CAPACITY:		
Hydraulic pressure	Bar	275
Motor Power	KW	7.5
Oil Tank Capacity	Lts	180
Overall dimensions	mm	4100*2050*1950 Height
Under the Floor mm		0
Machine weight	Kgs	7050
Power supply		AC 220V~480V,3ph,50/60HZ

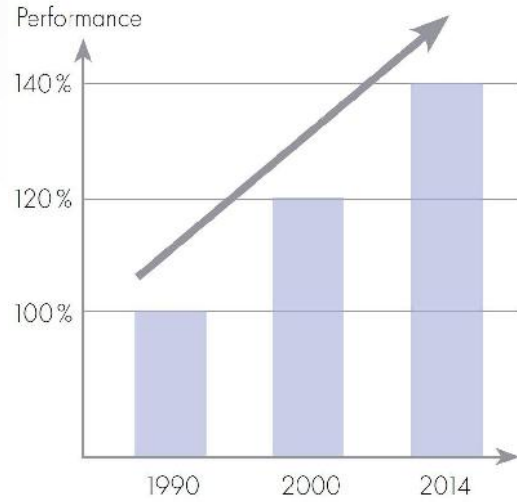
CONFIGURATION:	
ELGO Control System	ELGO P40T System from Germany
Electrical components	Schneider Electrical from France
Main Motor	Siemens from Germany
Angle measurement Sensor	OPKON
Servo Motor for Back Gauge	Delta from Taiwan
PLC	Schneider Electrical from France
Cutting Blades	FEILI from Taiwan
Hydraulic System	Bosch-Rexroth from Germany
Hydraulic Pump	SUNNY from U.S.A
Tubing connector	EMB from Germany Ball
Screw/ Liner guide	HIWIN from Taiwan

EXCELLENT VALUE FOR MONEY:

with its great variety of models and options as well as its modern optics, the MultiCut is the flagship of the fleet of shears from ACCURL..

Performance:

- Dynamics
- Precision
- Operation
- Maintenance
- Energy efficiency
- Environmentally friendliness



Impressive cutting solutions;

- Highly durable upper and bottom blades create impressive cutting surfaces on the materials and allow you to make perfect cuts.

